

Deutz 913 Series

Natural Gas Petroleum Power Pack



See back for generator specifications!

Deutz 913 Series Natural Gas Engine

Air Cooled Petroleum Power Pack 27-119 BHP/1100-2200 RPM

Ready-to-install turn key solution

- For stationary industrial (oil and gas applications) and irrigation pumps/generators.
- Full Warranty coverage on all Deutz supplied components.

Altronic CD-1 solid state electronic ignition system

Impeco-Gas carburetor and regulator

Engine safety control shut down panel

Barber Coleman governor

- Programmable ECU up to 33 different parameters
- Isochronous speed control
- Two set fixed speeds via switch
- Remote speed potentiometer
- .25% precision frequency control



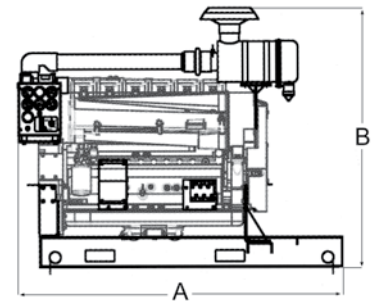
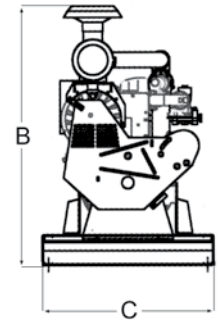
Building For The Next Century

Deutz 913 Series Natural Gas Petroleum Power Pack

TECHNICAL DATA

	UNIT	GF3L913	GF4L913	GF6L913	GBF6L913C
CYLINDERS		3	4	6	6
CYLINDER ARRANGEMENT		Vertical in-line	Vertical in-line	Vertical in-line	Vertical in-line
ASPIRATION		Natural	Natural	Natural	Turbocharged with charge air cooler
BORE	mm/in	102/4.0	102/4.0	102/4.0	102/4.0
STROKE	mm/in	125/4.9	125/4.9	125/4.9	125/4.9
COMPRESSION RATIO		9:1	9:1	9:1	8.2:1
CYLINDER DISPLACEMENT	liter/in ³	1.01/62.3	1.01/62.3	1.01/62.3	1.01/62.3
TOTAL DISPLACEMENT	liter/in ³	3.06/187.0	4.09/249.3	6.13/374.0	6.13/374.0
MAXIMUM OUTPUT ¹	kW/bhp	31/41.6	41/55.0	63/84.5	89/119.3
SPEED	rpm	2200	2200	2200	2000
LOW IDLE SPEED	rpm	1100	1100	1100	1200
COP-RATING, 50 HZ	kW/bhp	26/34.9	32/42.9	48/63.7	70/93.9
COP-RATING, 60 HZ	kW/bhp	28/37.5	37/49.6	56/75.1	85/114.0
PEAK TORQUE ²	Nm/lb-ft	172/126.8	223/164.5	323/238.2	475/350.3
SPEED	rpm	1200	1100	1200	1600
FUEL		Dry natural gas, minimum Methane > 80%			
CALORIFIC VALUE (LHV)	Btu/ft ³	950			
FUEL CONSUMPTION ³	kWh/kWh	3.51	3.51	3.51	3.38
	Btu/bhp/h	8943	8943	8943	8593
FUEL PRESSURE AT MIXER INLET		max. 5" H ₂ O (12 mbar)			
FUEL SUPPLY LINE PRESSURE		max. 12" H ₂ O (30 mbar)			

¹ net power continuous, ² peak torque, ³ at 1500 rpm



EMISSIONS

	GF3L913	GF4L913	GF6L913	GBF6L913C
NOX	11.5 tons/yr	15 tons/yr	20 tons/yr	32 tons/yr
	25 g/hphr	25 g/hphr	25 g/hphr	28 g/hphr
	33 g/kwhr	33 g/kwhr	33 g/kwhr	37 g/kwhr
CO	2.5 tons/yr	3 tons/yr	4 tons/yr	0.8 tons/yr
	5 g/hphr	5 g/hphr	5 g/hphr	0.7 g/hphr
	6.7 g/kwhr	6.7 g/kwhr	6.7 g/kwhr	0.95 g/kwhr

MEASUREMENTS

	GF3L913	GF4L913	GF6L913	GBF6L913C
A - length [mm/in]	1120/44.1	1120/44.1	1720/67.7	1628/64.1
B - height [mm/in]	1300/51.2	1300/51.2	1300/51.2	1180/46.5
C - width [mm/in]	860/33.9	860/33.9	860/33.9	940/37.0
WEIGHT [kg/lb]	310/682	340/748	470/1034	555/1221

Albuquerque, NM
+1 505-881-3511

Corpus Christi, TX
+1 361-289-5350

Great Bend, KS
+1 620-793-3552

New Orleans, LA
+1 504-347-4326

San Antonio, TX
+1 210-662-1000

Austin, TX
+1 512-251-6120

Dallas, TX
+1 214-631-5370

Houston, TX
+1 713-671-6220

Odessa, TX
+1 432-563-4800

Stuttgart, AR
+1 870-673-3575

Broussard, LA
+1 337-837-9001

El Paso, TX
+1 915-790-1848

Liberal, KS
+1 620-624-5672

Pharr, TX
+1 956-787-6880

Waco, TX
+1 254-857-4351

Casper, WY
+1 307-234-6975

Farmington, NM
+1 505-325-5071

Longview, TX
+1 903-758-5562

Phoenix, AZ
+1 602-462-1636

Wichita Falls, TX
+1 940-322-5227

Commerce City, CO
+1 303-287-7441

Gillette, WY
+1 307-685-6413

Lubbock, TX
+1 806-745-4224

Pueblo, CO
+1 719-543-7056

Visit us on the Web at www.stewartandstevenson.com

SSLLC2007-04-018 ©2007 STEWART & STEVENSON

All data subject to change without notice. The information in this bulletin is believed to be accurate but all recommendations are made without warranty, since the conditions of use are beyond Stewart & Stevenson's control. Stewart & Stevenson disclaims any liability in connection with the use of this information, and does not warrant against infringement by reason of the use of any of its products in combination with other material or in any process. Stewart & Stevenson warrants only that the product complies with specifications agreed to in contracts of sale.



Building For The Next Century